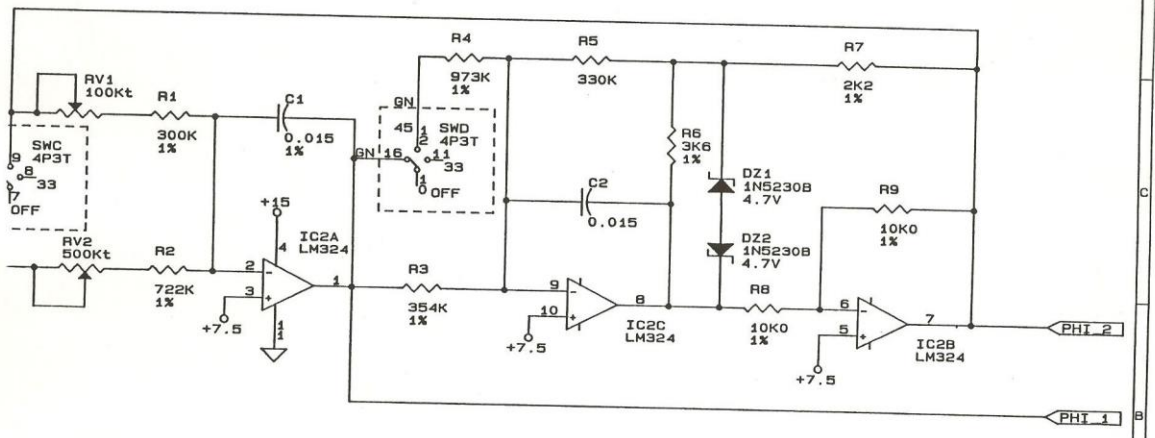


8 7 6 5 4 3 2 1



OSCILLATOR

- ES: - All resistors at 1/4W, 5%, otherwise specified  
 - All capacitors in uF  
 - BURGER LAHR SYNCHRONOUS MOTOR, RSM 50/8 NG, 8V, 35Hz  
 - Pulley 22.5mm (885m11)  
 - 33 1/3rpm = 30Hz, 8.0Vrms - 45rpm = 40.5Hz, 8.0Vrms

ORACLE AUDIO CORPORATION		
Title		
MOTOR CIRCUIT MKIV - PARIS		
Size	Document Number	REV
A	RKIV9103.OSC - 8Vrms	03
Date:	November 26, 1991	Sheet 2 of 3

7 6 5 4 3 2 1